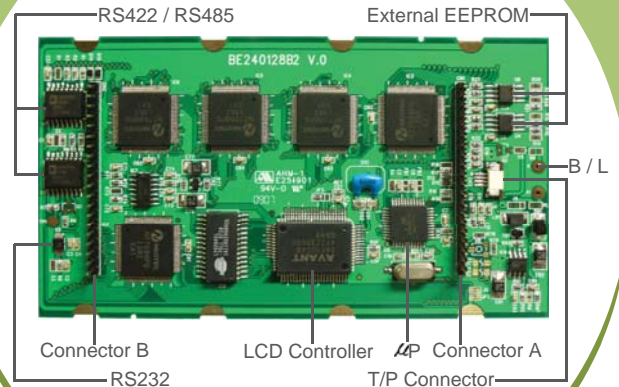


BEGV641A

Display Embedded System



Features

- High performance, Low power AVR 8-bit microprocessor
- Built in 64KB Flash memory / 4KB SRAM
- On board updateable 128KB EEPROM
- One isolated RS485 / 422 / 232, 1 x RS232
- High speed SPI and I²C
- Lower voltage operation to 2.7V
- Built in 4 wired resistive touch controller
- 240 x 128 monochrome STN LCD
- On-chip power- on reset(POR) and programmable watchdog reset
- Comprehensive set of development tools and application notes for self programming.
- RS485 / 422 / 232 driver, SPI driver, I²C driver, Touch panel driver , LCM driver and Utility are supported

Hardware Specifications

Processor

- High performance,Low power AVR 8-bit microprocessor

Memory

- 64KB In-system programmable flash
- 2KB Internal EEPROM
- 4KB Internal SRAM
- 64KB x 2 External I²C CMOS EEPROM(option)

Display Interface

- Support 8-bit single scan with resolution240 x 128 MonochromeSTN LCD edge LED white backlight only

Serial Port

- Support dual RS232 port 1 x RS232 port, Another shared withisolated RS422 / 485 port

RS232 / 422 / 485 Port

- Support one port shard between with RS232 isolated RS422 and isolated RS485

Serial Peripheral Interface

- One full-duplex, three-wired synchronous data transfer speed one two-wired serial interface to 400 KHz data transfer speed

Touch Panel Interface

- Support four-wired resistive touch panel interface

Software Utilities

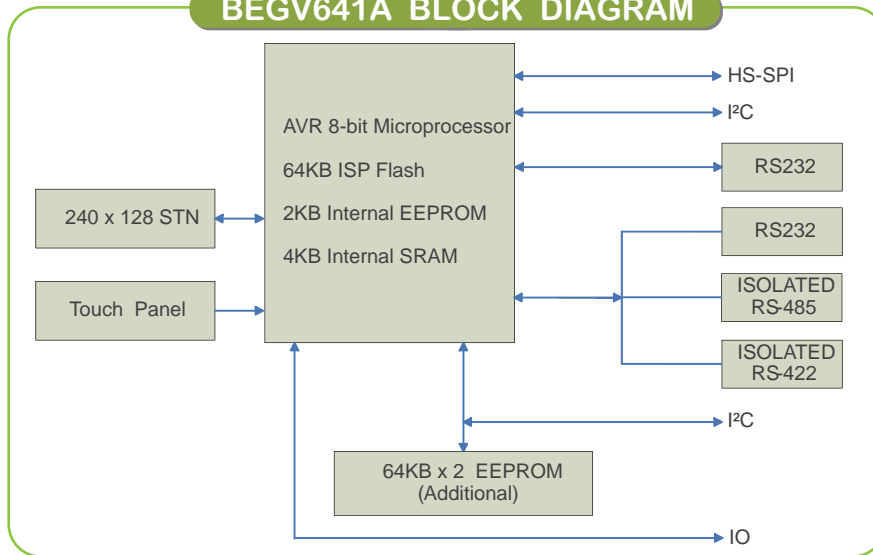
- Support RS232 / 422 / 485 driver 、 SPI driver 、 I²C driver 、 Touch panel 、 LCM utilities

DC Requirement

- DC2.7V~5.5V



BEGV641A BLOCK DIAGRAM



Pin Mapping Table

PIN(Connector)	PIN(Processor)	Alternate IO-1	Alternate IO-2	Alternate IO-3
6A	44	PB4	#SS	
7A	1	PB5	MOSI	
8A	2	PB6	MISO	
9A	3	PB7	SCK	
15A	19	PC0	SCL	
14A	20	PC1	SDA	
17A	21	PC2	EP-SDA	
18A	22	PC3	EP-SCL	
10A	9	PD0	RXD0	
11A	10	PD1	TXD0	
12A	11	PD2	RXD1*	
13A	12	PD3	TXD1*	
16A	33	PA4		ADC4
9B	32	PA5	EN485	ADC5
20A	30	PA7		ADC7

*:12A / 13A / 9B Share with RS422 / 485

Order Information

Parts NO.	Description	RS232-A	RS232-B	RS422	RS485
	One RS232	☆			
	Dual RS232	☆	☆		
	One RS232/One RS422	☆		☆	
	One RS232/One RS485	☆			☆
	One RS485				☆
	One RS422				☆

Package

- BEGV641A Embedded LCD module
- User Manual
- Software Utility Disc
- ISP Cable (option)

