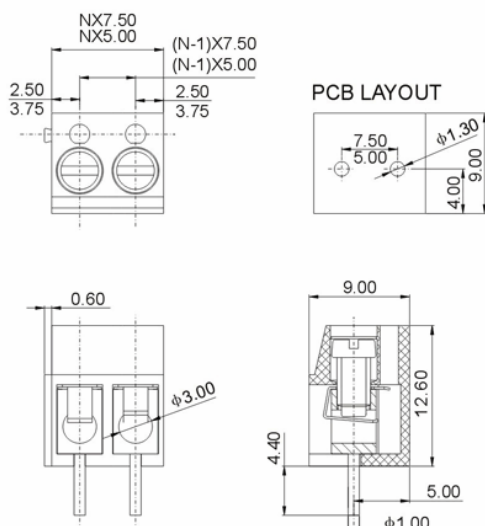
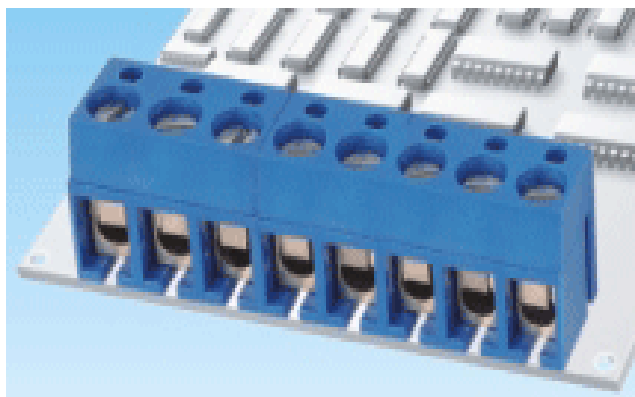


# Терминал блоки (клемники)

## Серия 300

Шаг: 5,0мм/5,08мм/7,5мм

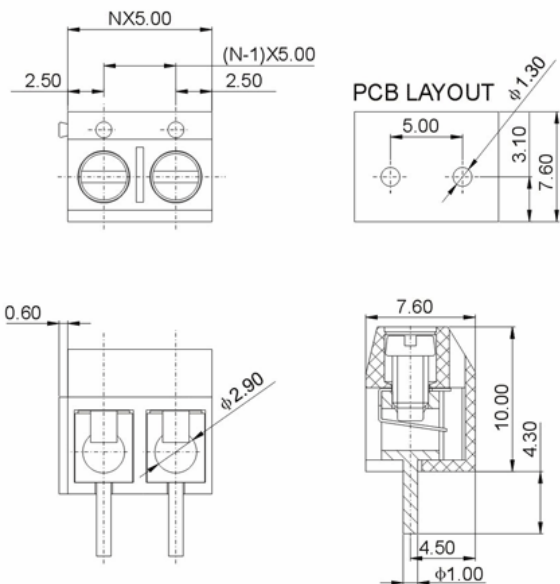
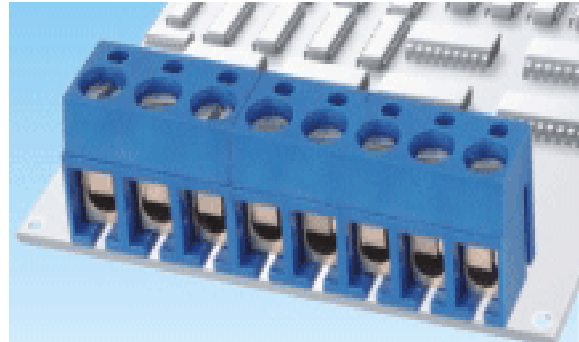


## Характеристики:

Capability	
Rated voltage/Rated current	300V/10A
Wire range	22-14 AWG, 2.5 mm <sup>2</sup>
Withstanding voltage	AC2000V/1Min
Insulation resistance	5000M $\Omega$ /DC1000V
Contact resistance	20 m $\Omega$
Temp. Range	-30°C ~ +120°C
Torque	0.5Nm (4.5Lb.in)
Strip length	4.5-5 mm
Specification	
Housing	PBT, UL94V-0
Screws	M3, steel, Zinc plated
Wire guard	Stainless steel
Pin header	Brass, Tin plated

## Серия 301

Шаг: 5,0мм

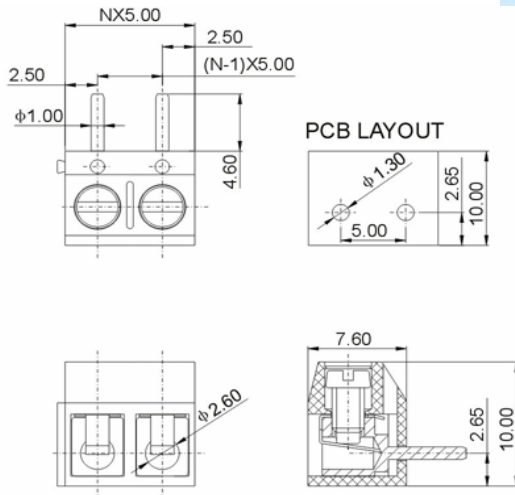
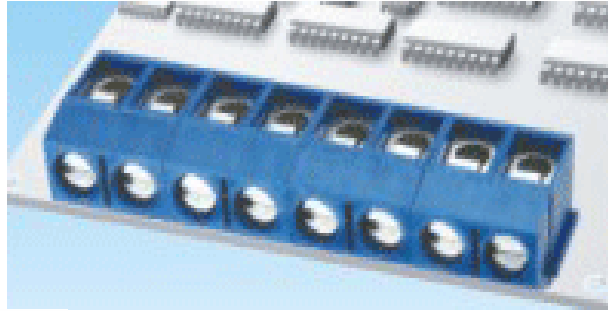


Характеристики:

Capability	
Rated voltage/Rated current	300V/15A
Wire range	22-14 AWG, 1.5 mm <sup>2</sup>
Withstanding voltage	AC2000V/1Min
Insulation resistance	5000M $\Omega$ /DC1000V
Contact resistance	20 m $\Omega$
Temp. Range	-30°C ~ +120°C
Torque	0.4Nm (3.6Lb.in)
Strip length	4.5-5 mm
Specification	
Housing	PBT, UL94V-0
Screws	M2.5, steel, Zinc plated
Wire guard	Stainless steel
Pin header	Brass, Tin plated

## Серия 301R

Шаг: 5,0мм

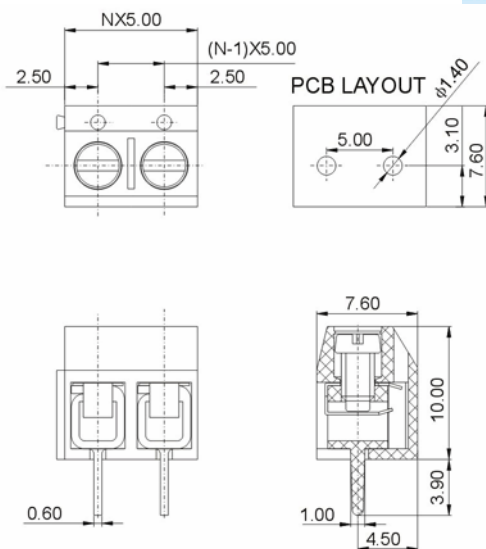
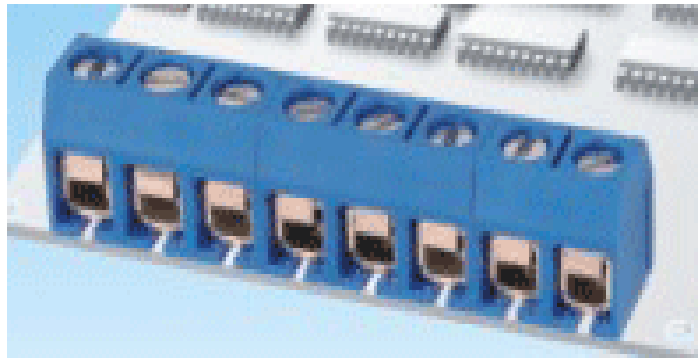


Характеристики:

<b>Capability</b>	
Rated voltage/Rated current	300V/15A
Wire range	22-14 AWG, 1.5 mm <sup>2</sup>
Withstanding voltage	AC2000V/1Min
Insulation resistance	5000M $\Omega$ /DC1000V
Contact resistance	20 m $\Omega$
Temp. Range	-30°C ~ +120°C
Torque	0.4Nm (3.6Lb.in)
Strip length	4.5-5 mm
<b>Specification</b>	
Housing	PBT, UL94V-0
Screws	M2.5, steel, Zinc plated
Wire guard	Stainless steel
Pin header	Brass, Tin plated

## Серия 306

Шаг: 5,0мм

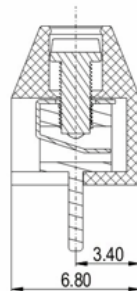
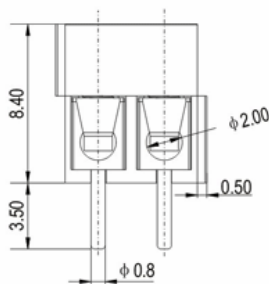
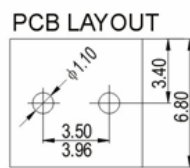
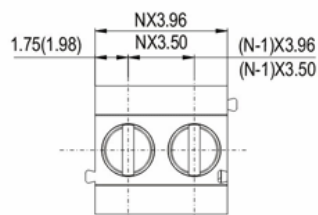
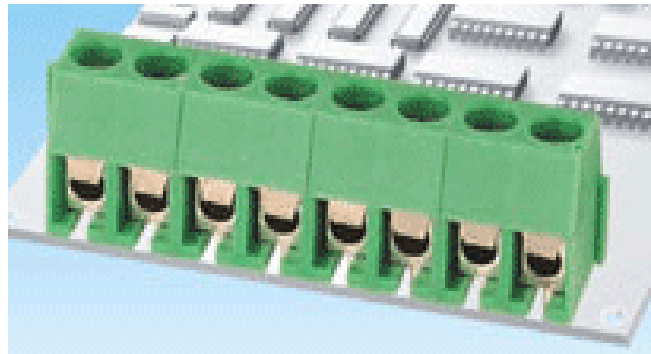


### Характеристики:

<b>Capability</b>	
Rated voltage/Rated current	300V/10A
Wire range	22-14 AWG, 1.5 mm <sup>2</sup>
Withstanding voltage	AC2000V/1Min
Insulation resistance	5000MΩ/DC1000V
Contact resistance	20 mΩ
Temp. Range	-30°C ~ +120°C
Torque	0.4Nm (3.6Lb.in)
Strip length	4.5-5 mm
<b>Specification</b>	
Housing	PBT, UL94V-0
Screws	M2.5, steel, Zinc plated
Wire guard	Stainless steel
Pin header	Brass, Tin plated

## Серия 350

Шаг: 3,5мм

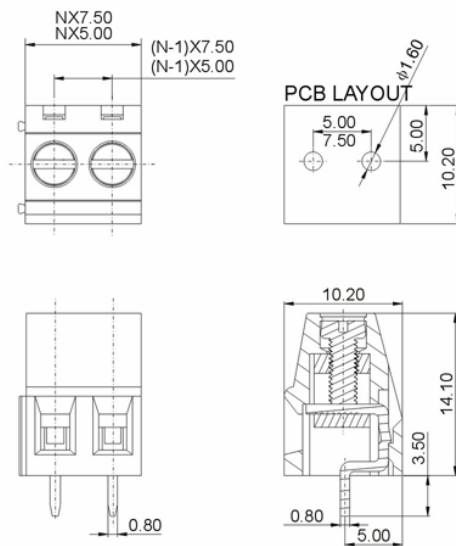
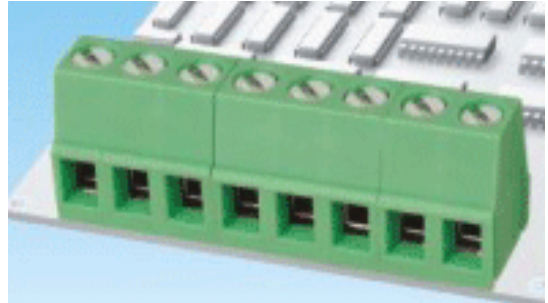


### Характеристики:

<b>Capability</b>	
Rated voltage/Rated current	300V/7A
Wire range	24-18 AWG, 1.0 mm <sup>2</sup>
Withstanding voltage	AC2000V/1Min
Insulation resistance	5000MΩ/DC1000V
Contact resistance	20 mΩ
Temp. Range	-40°C ~ +105°C
Torque	0.2N.m (1.7Lb.in)
Strip length	4.5-5 mm
<b>Specification</b>	
Housing	PA66, UL94V-0
Screws	M2, steel, Zinc plated
Wire guard	Phosphor bronze, Ni plated
Pin header	Brass, Tin plated

## Серия 128

Шаг: 5,0мм/7,5мм

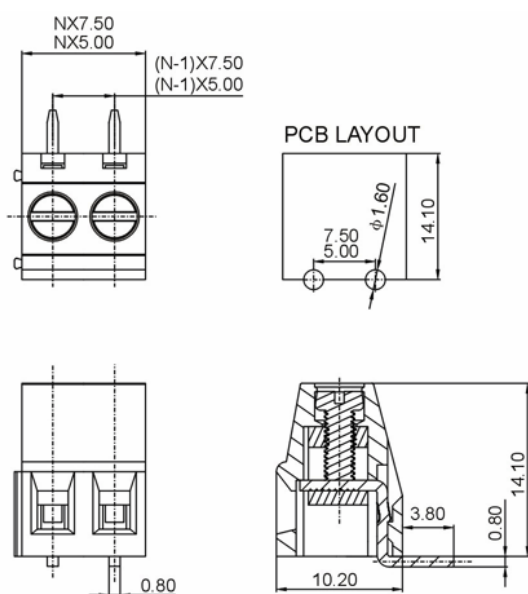
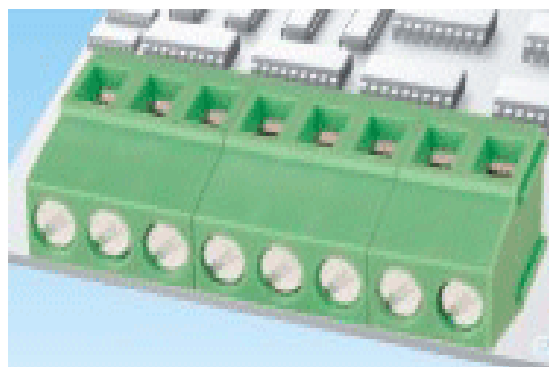


### Характеристики:

<b>Capability</b>	
Rated voltage/Rated current	300V/10A
Wire range	24-12 AWG, 2.5 mm <sup>2</sup>
Withstanding voltage	AC2000V/1Min
Insulation resistance	5000MΩ/DC1000V
Contact resistance	20 mΩ
Temp. Range	-40°C ~ +105°C
Torque	0.4Nm (3.6Lb.in)
Strip length	6-7 mm
<b>Specification</b>	
Housing	PA66, UL94V-0
Screws	M2.5, steel, Zinc plated
Contact	Brass, Ni plated
Pin header	Brass, Tin plated

## Серия 128R

Шаг: 5,0мм

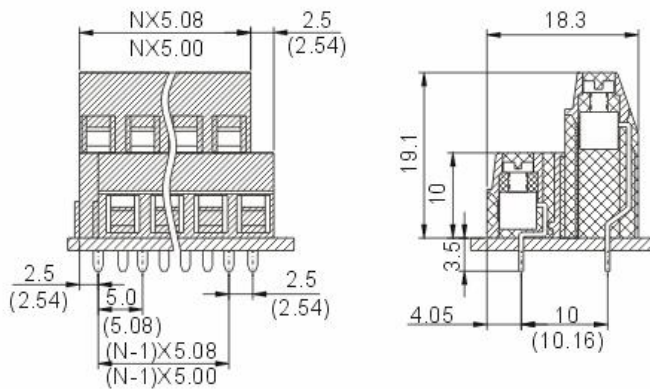
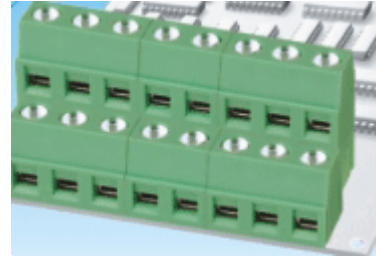


Характеристики:

<b>Capability</b>	
Rated voltage/Rated current	300V/10A
Wire range	24-12 AWG, 2.5 mm <sup>2</sup>
Withstanding voltage	AC2000V/1Min
Insulation resistance	5000M $\Omega$ /DC1000V
Contact resistance	20 m $\Omega$
Temp. Range	-40°C ~ +105°C
Torque	0.4Nm (3.6Lb.in)
Strip length	6-7 mm
<b>Specification</b>	
Housing	PA66, UL94V-0
Screws	M2.5, steel, Zinc plated
Contact	Brass, Ni plated
Pin header	Brass, Tin plated

## Серия 128I

Шаг: 5,0мм/5.08мм



### Характеристики:

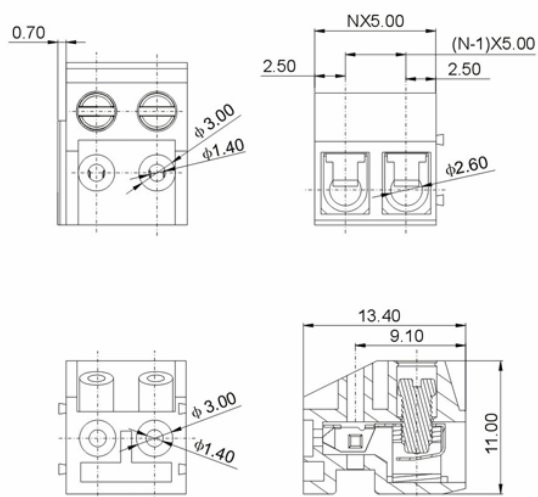
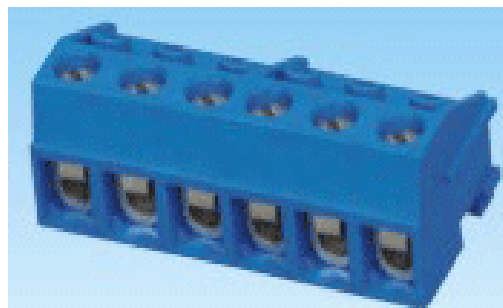
Capability	
Rated voltage/Rated current	300V/12A
Wire range	26-14 AWG, 1.5 mm <sup>2</sup>
Withstanding voltage	AC2000V/1Min
Insulation resistance	5000M $\Omega$ /DC1000V
Contact resistance	20 m $\Omega$
Temp. Range	-40°C ~ +105°C
Torque	0.4Nm (3.6Lb.in)
Strip length	5-6 mm
Specification	
Housing	PA66, UL94V-0
Screws	M2.5, steel, Zinc plated
Contact	Brass, Ni plated
Pin header	Brass, Tin plated



# Клемники разрывные

## Серия 332К

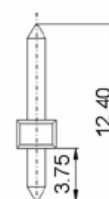
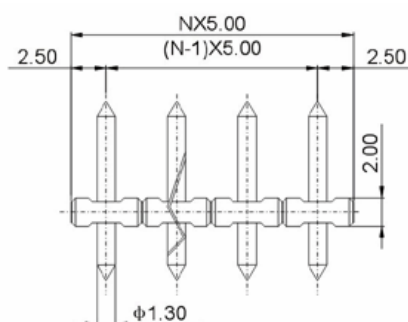
Шаг: 5,0мм



Характеристики:

Capability	
Rated voltage/Rated current	300V/10A
Wire range	28-16 AWG, 1.5 mm <sup>2</sup>
Withstanding voltage	AC2000V/1Min
Insulation resistance	5000M $\Omega$ /DC1000V
Contact resistance	20 m $\Omega$
Temp. Range	-30°C ~ +120°C
Torque	0.4Nm (3.6Lb.in)
Strip length	4.5 mm
Specification	
Housing	PBT, UL94V-0
Screws	M2.5, steel, Zinc plated
Wire guard	Phosphor bronze, Ni plated

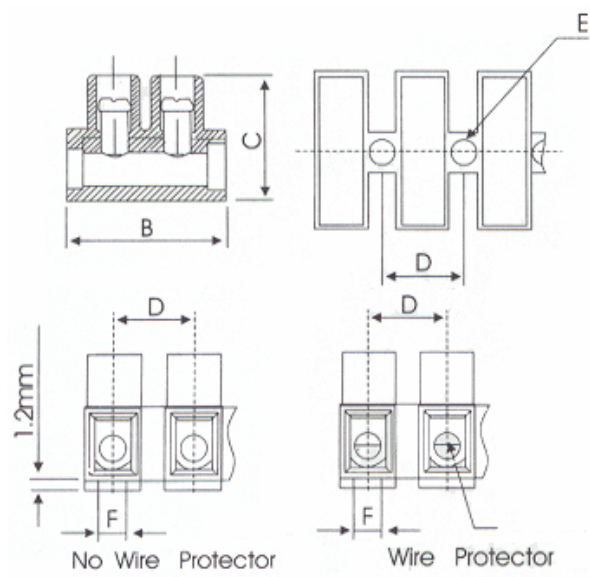
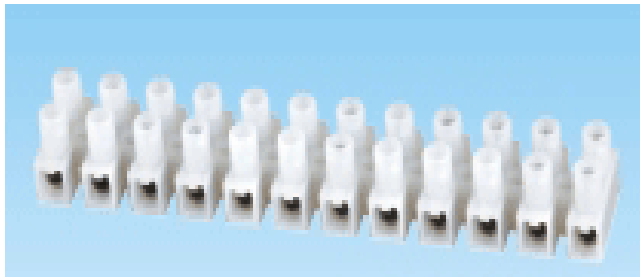
## Штыри 332J



### Характеристики:

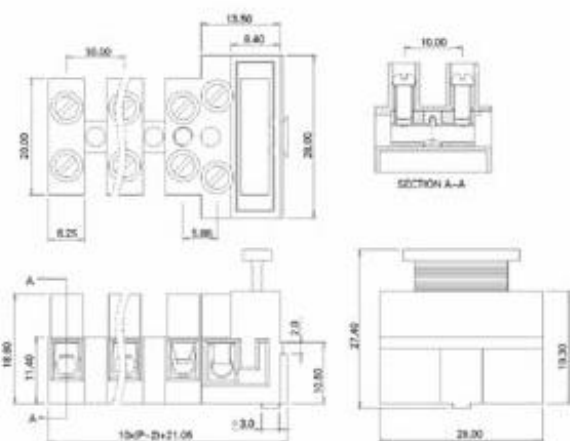
Capability	
Rated voltage/Rated current	300V/10A
Withstanding voltage	AC2000V/1Min
Insulation resistance	5000M $\Omega$ /DC1000V
Contact resistance	20 m $\Omega$
Temp. Range	-30°C ~ +120°C
Specification	
Housing	PA66+10%GF $\square$ UL94V-0
Pin header	Brass, Tin plated

# Клемники проходные



# Клемник проходной с предохранителем

Обозначение: TLF-100



## Характеристики:

Ток: 10А

Напряжение: 400В

Винт: М3